

JOB NAME: _____

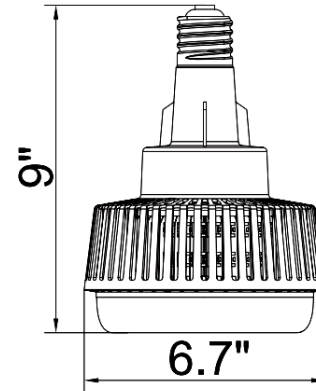
DATE: _____

TYPE: _____



DIMENSIONS:

9"(H) x 6.7"(D)



HPL-HB-60W-50K-E39

LED HIGH POWER LAMPS

Ideal for retrofitting existing HID high bay, it can be used in enclosed luminaires

ELECTRICAL SPECIFICATIONS:

- Voltage: 120-277VAC 50/60Hz
- Wattage: 60W
- Power factor: >0.90
- Efficacy: 108LM/W
- THD: 25%

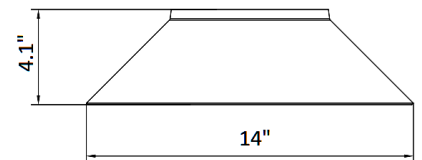
HOUSING SPECIFICATIONS:

- Aluminum and PC Housing
- No fan housing (New Technology)
- Lamp base: E39 Mogul Base
- Operating temperature: -4°F ~ 122°F
- Lifespan: 50,000 hrs.
- IP rating: suitable for damp location

CERTIFICATIONS: UL,DLC



OPTIONAL ACCESSORIES:



MODEL	WATTS	VOLTAGE	LUMENS	COLOR TEMP
HPL-HB-60W-50K-E39	60W	120~277VAC	6480LM	5000K

MODEL	DESCRIPTION
HPL-HB-R1	PC Reflector

LIGHTING SPECIFICATIONS:

- Total lumens: 6480LM
- Color temperature: 5000K
- Color rendering index: >80
- Beam Angle: 120°

WARRANTY: 5 years

